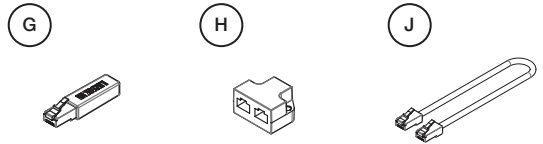
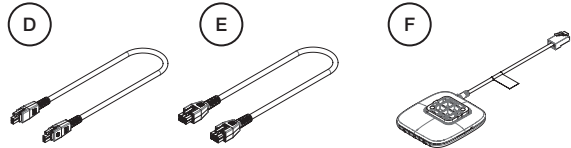
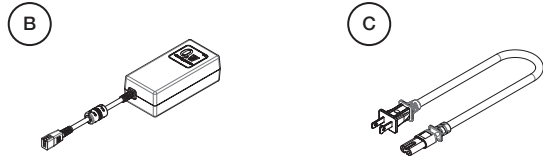
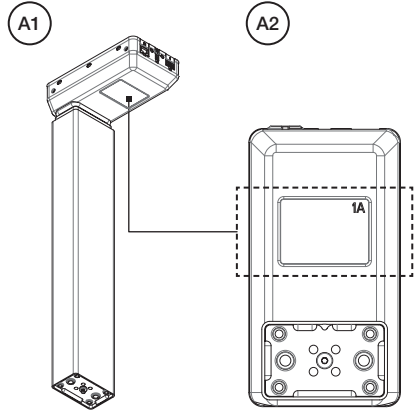


Migration Intro (HA1)



Migration Intro Components List

(shown at left)

- A1: Lifting Column
- A2: Lifting Column Label Identification
Intro (HA1) Primary Leg: 1A
Intro (HA1) Secondary Leg: 1B

Notes:

- Intro desk uses columns labeled 1A and 1B
- This kit is not compatible with Migration SE (MG) product

- B: Power Supply: North America
- C: Power Cord: North America
- D: 2-pin DC Power Cable
- E: 6-pin Low-Voltage Cable
- F: Active Touch Controller
- G: Obstruction Detection Sensor*
- H: T-Splitter*
- J: Splitter Cable*

*Application specific; standard on widths greater than 72" wide and when the Active Touch controller is specified.

Scan to Visit

Service Parts | Troubleshooting:

Intro (HA1)
steelcase.com/migrationcollection/troubleshoot/intro



Troubleshooting Support

Maintenance Kit Parts Identification

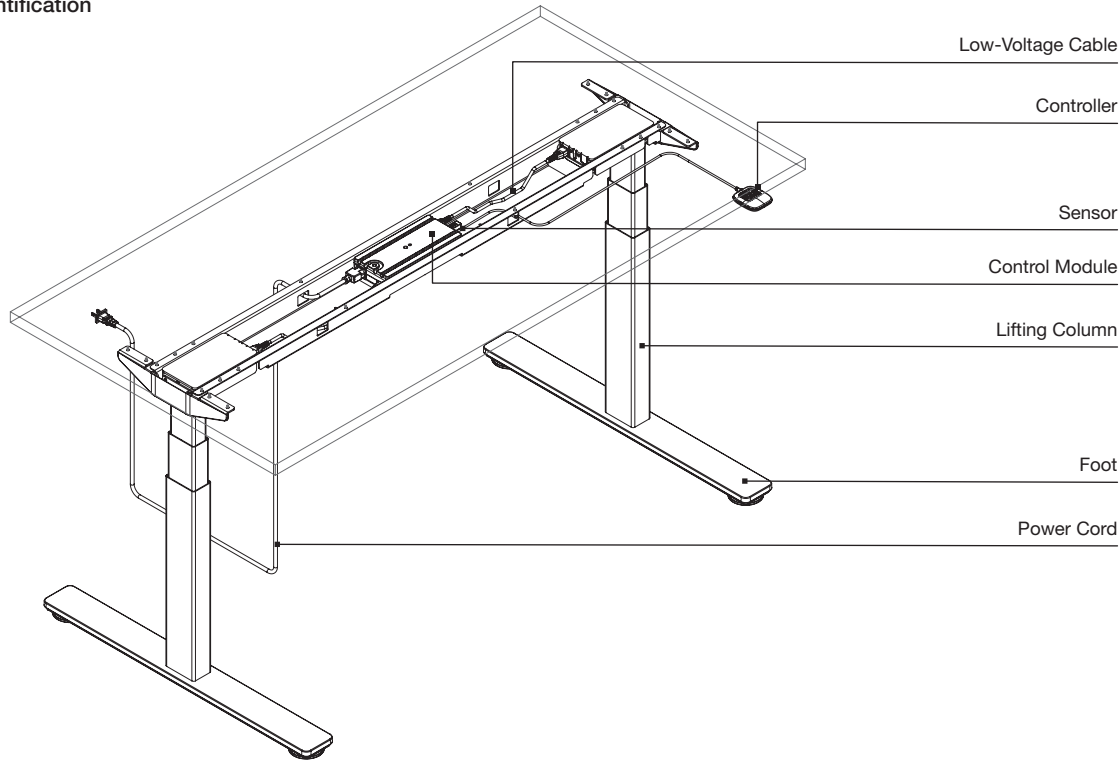
Compatible with Migration Intro, Migration Pro, Ology, Flex and Slim Leg Height-Adjustable Desks



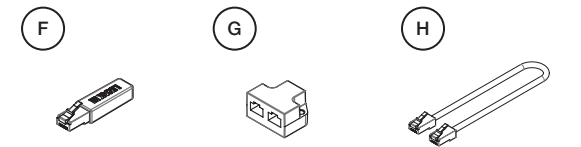
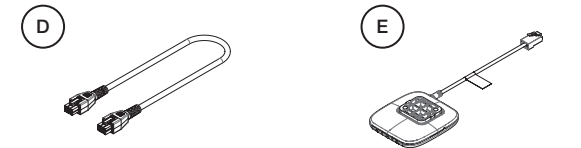
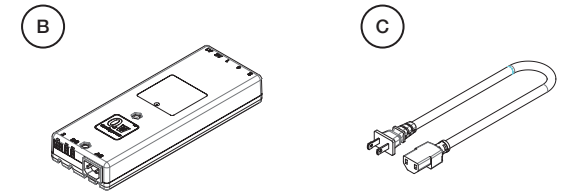
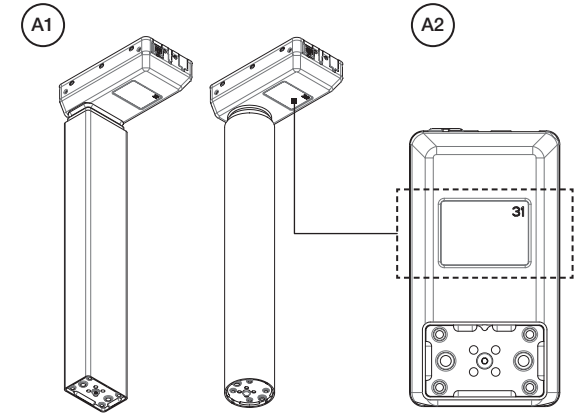
05/15 ©2024 Steelcase Inc. All rights reserved. All specifications subject to change without notice. Trademarks used herein are the property of Steelcase Inc. or of their respective owners.

Part No. 1561112001

Parts Identification



Migration Pro (HA2)
 Migration Pro High-Speed (HA3)
 Others: OL, FLX, SLHAD



Scan to Visit

Error Codes:
steelcase.com/errorcodes



Service Parts | Troubleshooting:

Pro (HA2)
steelcase.com/migrationcollection/troubleshoot/pro



Pro High-Speed (HA3)
steelcase.com/migrationcollection/troubleshoot/prohs



Migration Pro Components List
 (shown at right)

- A1: Lifting Column
- A2: Lifting Column Label Identification
 Pro (HA2): 21 or 22
 Pro High-Speed (HA3): 31

Notes:

- Label numbers must match for Migration Pro
- Ology, Flex and Slim Leg do not show identification labels
- This kit is not compatible with Migration SE (MG) product

B: Control Module: 3-leg

Note: To test individual components for 2- and 3-leg desks, the cable (D) must be plugged into port 1.

C: Power Cord: North America

D: 6-pin Low-Voltage Cable

E: Active Touch Controller

F: Obstruction Detection Sensor

Note: Used with HA2, HA3, OL (manufactured after 10/23/23), SLHAD

G: T-Splitter*

H: Splitter Cable*

*Application specific; standard on widths greater than 78" wide and corner desks when a second sensor (F) is used.